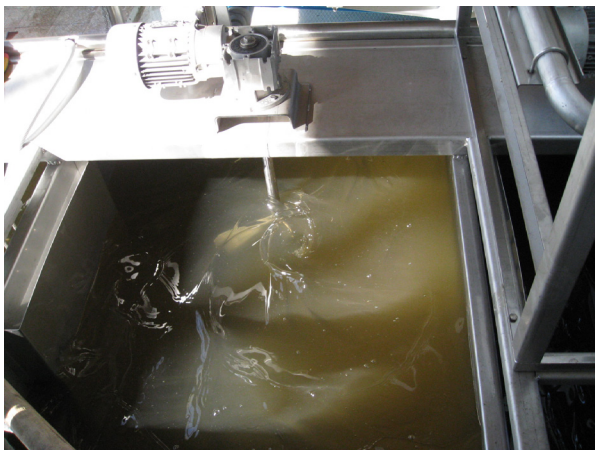


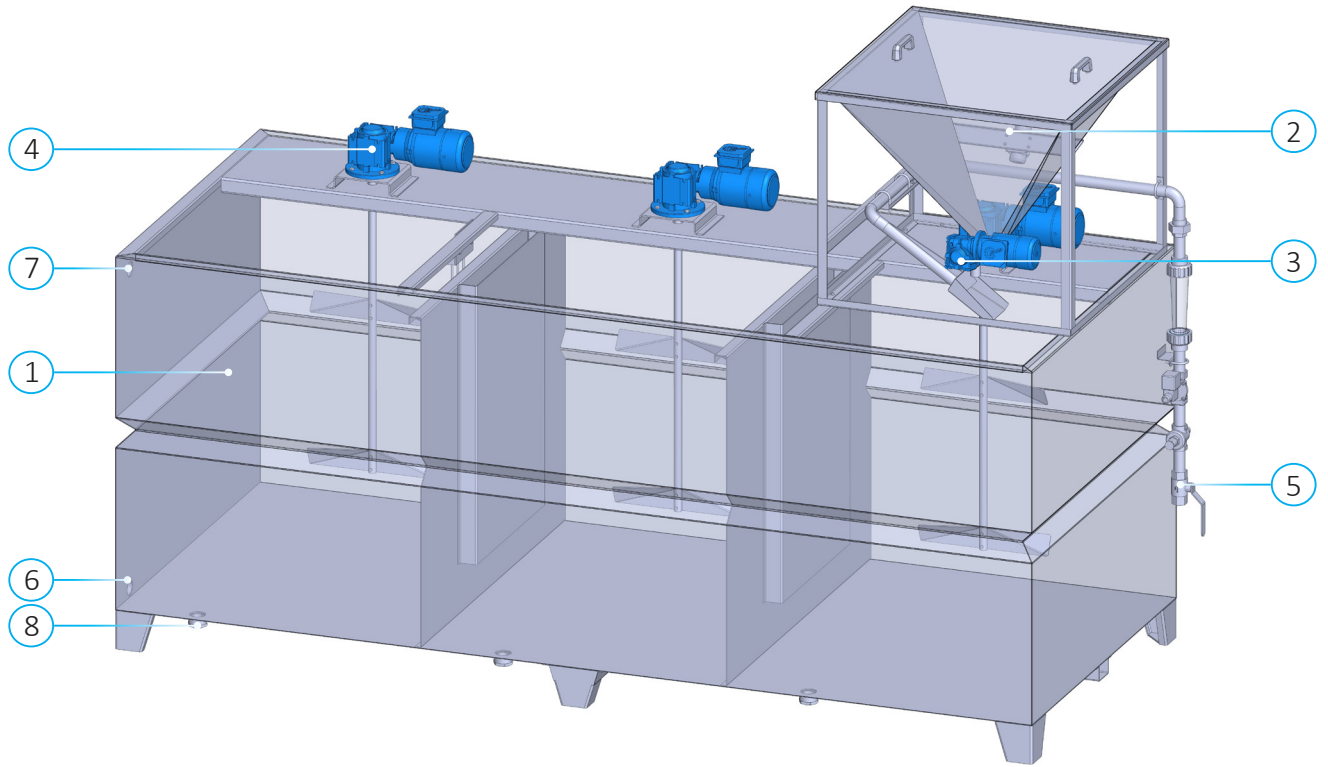
## ▷ Features & Applications

- ▷ Used for automated preparation, maturing and storage of polyelectrolyte solutions.
- ▷ Widely used in wastewater treatment plants and other industries.
- ▷ Fully customizable according to customer needs.
- ▷ Low maintenance requirement and cost.
- ▷ Compact, portable and easy to install with no infrastructure requirement.
- ▷ Number of compartments adjusted to customer requests.
- ▷ Adjustable concentrations from %0,1 to %0,5.
- ▷ Single unit capacity up to 10.000 L/h.

	Capacity (L/h)	Volume (L)	Mixer Power (kW)	PE Feeder Power (kW)
PMU1000	1000	750	0,25	0,12
PMU2000	2000	1500	0,37	0,12
PMU3000	3000	2250	0,37	0,12
PMU4000	4000	3000	0,37	0,18
PMU5000	5000	3750	0,55	0,18
PMU6000	6000	4500	0,55	0,18
PMU8000	8000	6000	0,75	0,18
PMU10000	10000	7500	1,10	0,18



# Polymer Preparation System



	<b>Components</b>	<b>Materials &amp; Options</b>
1	Solution Tank	Stainless steel grades
2	Polymer Hopper	Stainless steel grades
3	Polymer Feeder	Stainless steel grades
4	Mixer	Stainless steel grades
5	Water Inlet	Stainless steel grades
6	Solution Outlet	Stainless steel grades
7	Overflow	Stainless steel grades
8	Drainage	Stainless steel grades
	Bolts&Nuts	A2/A4