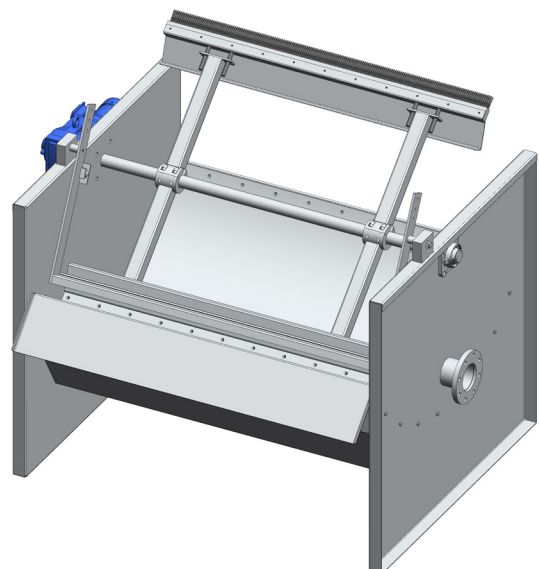
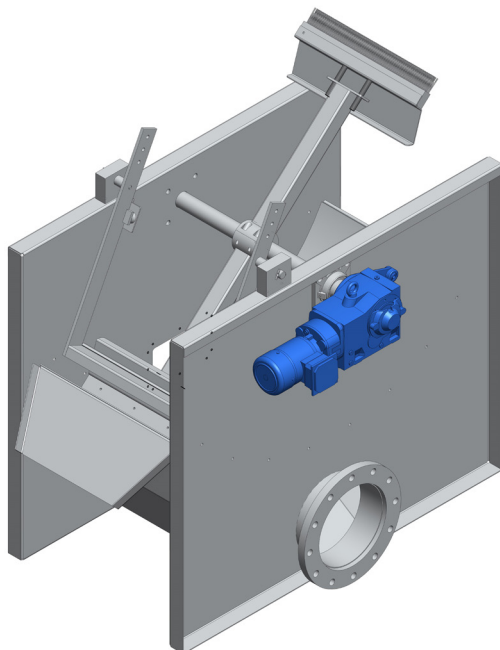


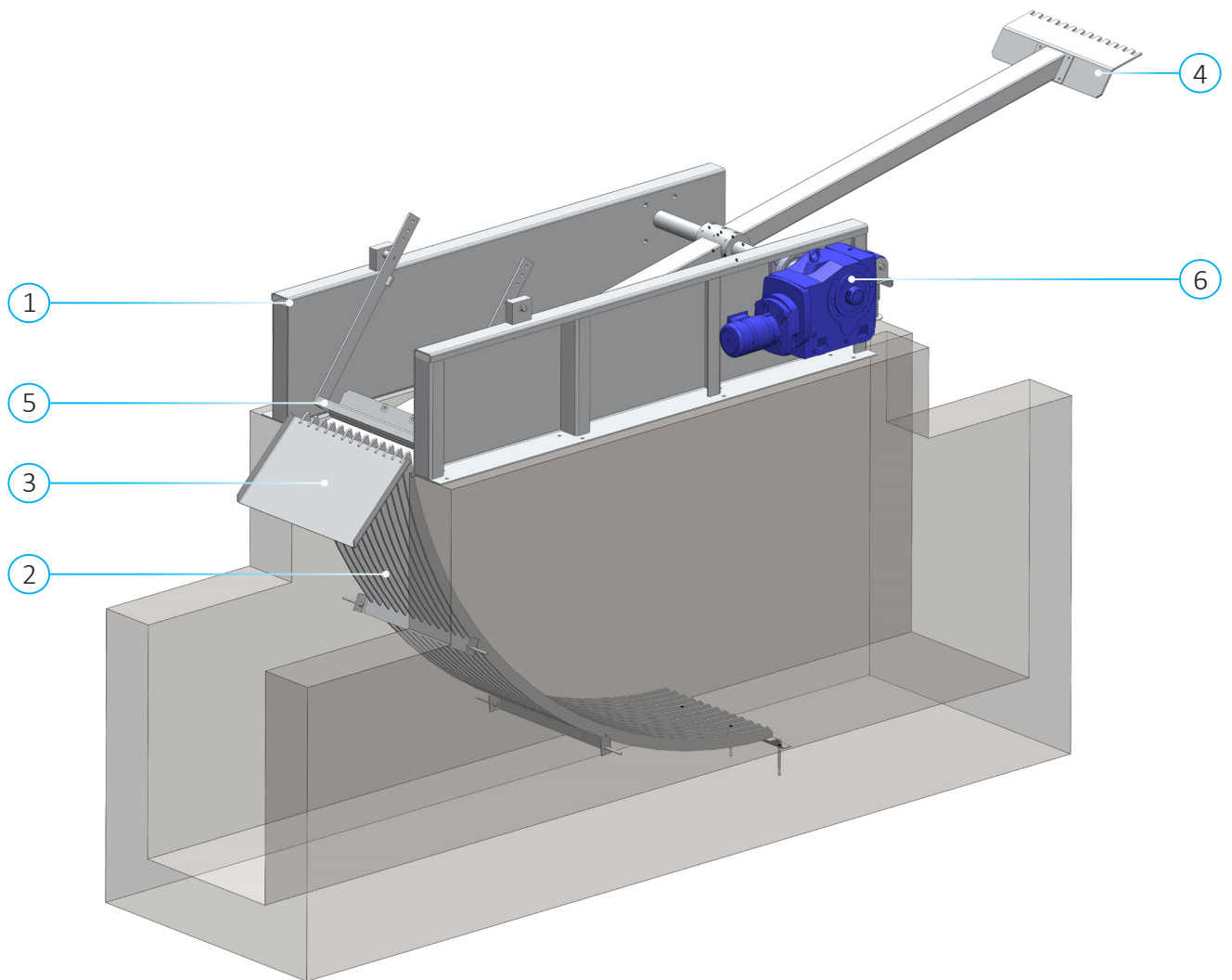


▷ Features & Applications

- ▷ Used for screening of solid waste from the stream.
- ▷ Bar screen with min. 6mm opening and perforated screen option with min. 3mm opening.
- ▷ Widely used and preferred at facilities with shallow water channels.
- ▷ Low maintenance and operating cost due to simplicity of the mechanical design.
- ▷ Easy installation and fully customizable.



Arch Screen



	Components	Materials & Options
1	Frame	Stainless steel grades
2	Bar Screen	Stainless steel grades
3	Discharge Chute	Stainless steel grades
4	Rake	Stainless steel grades
5	Wiper	Stainless steel grades
6	Drive Unit	Motor and Gearbox
7	Anchor Bolts	A2/A4