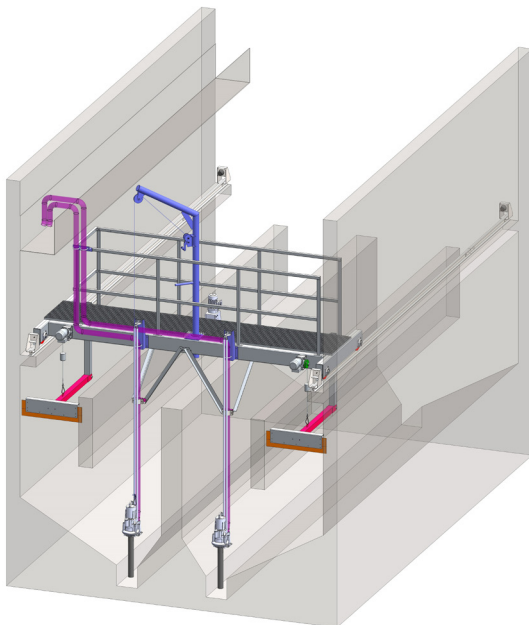


# Grit & Grease Bridge Scraper

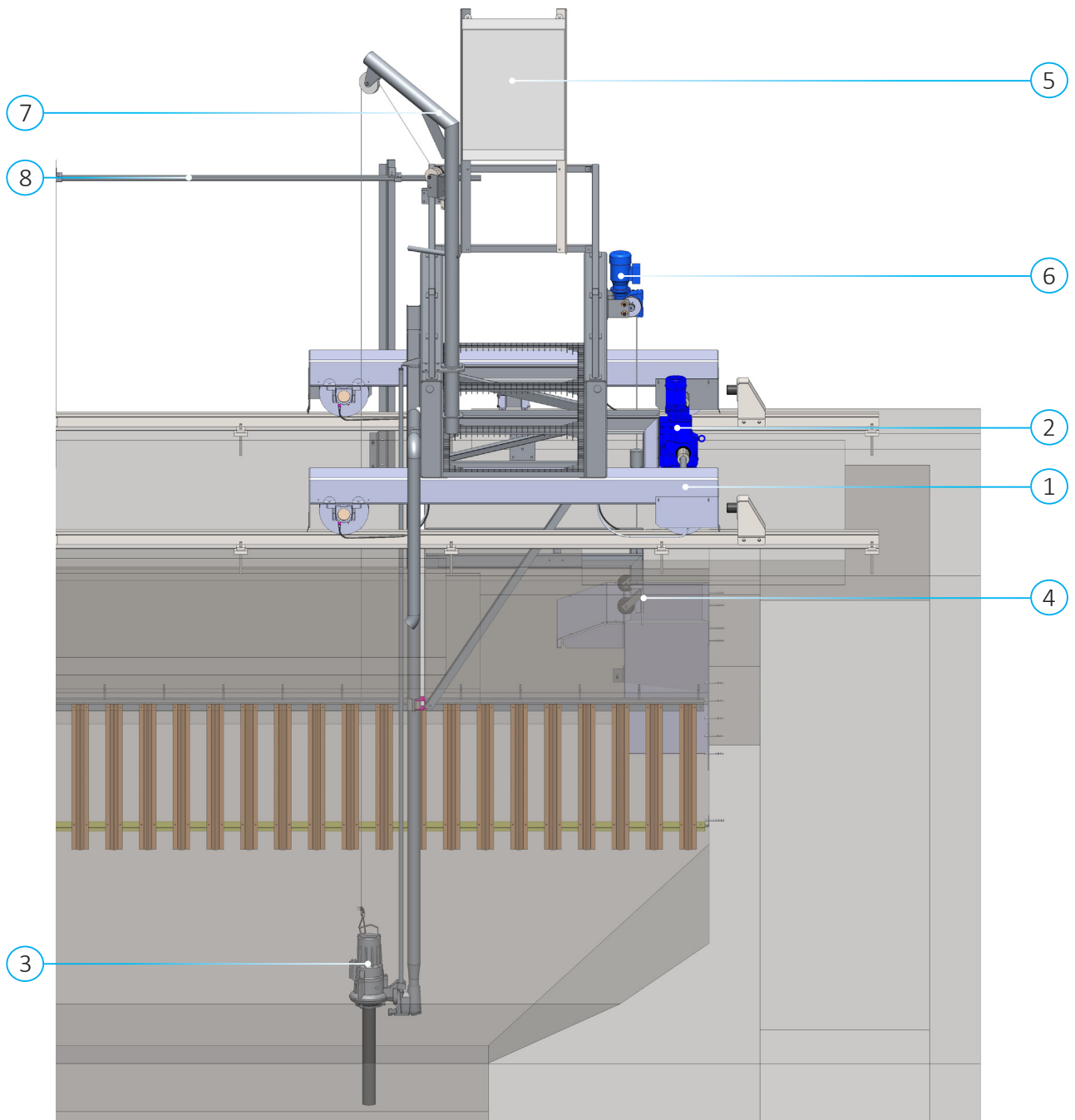


## ▷ Features & Applications

- ▷ Used for separation and removal of grit and grease inside the wastewater after screening process.
- ▷ Widely used in wastewater treatment plants.
- ▷ Fully customizable according to customer needs.
- ▷ Suction or bottom scraper type options.
- ▷ Airlift or submersible grit pump options for suction type scrapers.

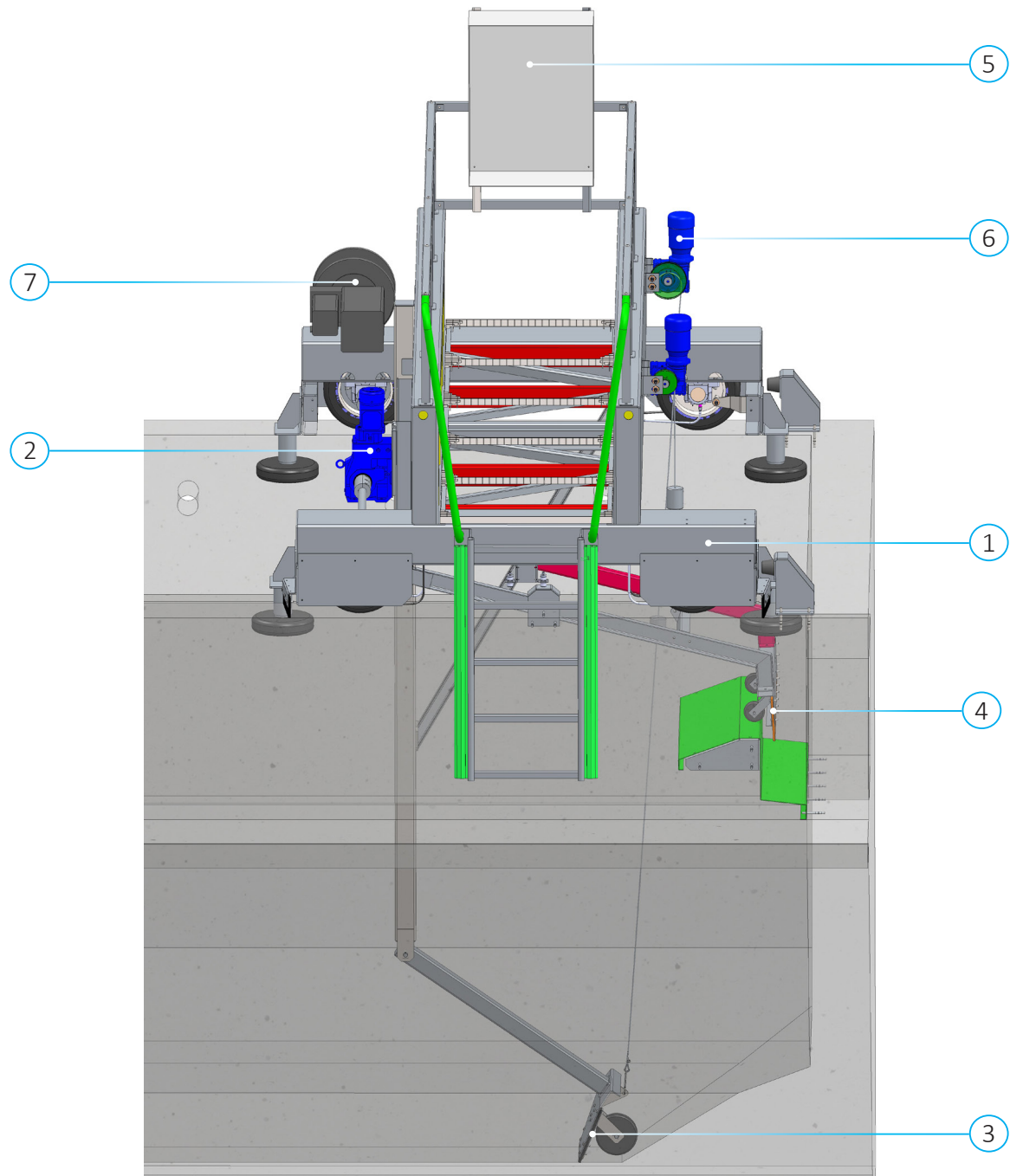


# Grit & Grease Bridge Scraper



	Components	Materials & Options
1	Travelling Bridge	Stainless Steel Grades / Carbon Steel + Epoxy or Galvanized
2	Drive Unit	Motor & Gearbox
3	Grit Suction Pump	Submersible Type
4	Grease Scraper	Stainless Steel Grades with EPDM Edge
5	Control Panel	Stainless Steel Grades / FRP
6	Lifting Device	Motor & Gearbox
7	Lifting Davit	Stainless Steel Grades & Hand Winch
8	Fastoon	
	Bolts&Nuts	A2/A4

# Grit & Grease Bridge Scraper



	Components	Materials & Options
1	Travelling Bridge	Stainless Steel Grades / Carbon Steel + Epoxy or Galvanized
2	Drive Unit	Motor & Gearbox
3	Grit Scraper	Stainless Steel Grades with EPDM Edge
4	Grease Scraper	Stainless Steel Grades with EPDM Edge
5	Control Panel	Stainless Steel Grades / FRP
6	Lifting Device	Motor & Gearbox
7	Cable Reel	Spring or Motorized
	Bolts&Nuts	A2/A4